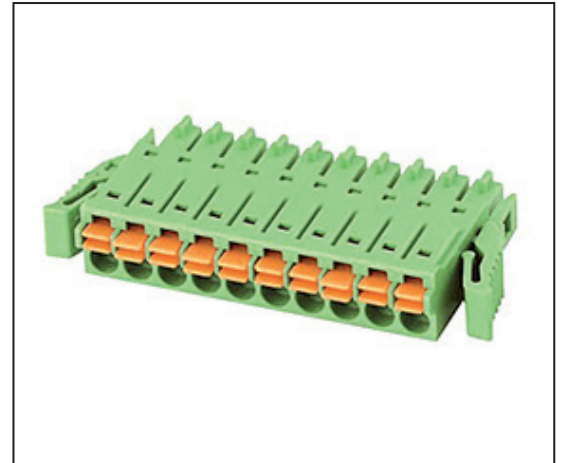
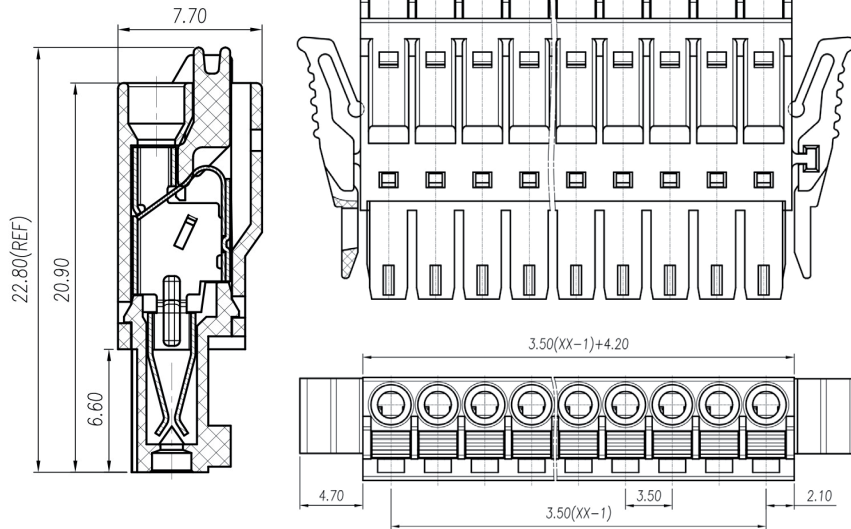



PCB Terminal Blocks

Low Profile Narrow Connector, Top Wire Entry with Snap Latch

ASIWJ15EDGKNG-3.5



| Certification | |
|-----------------------|---|
| |  |
| Material | |
| Pin/Plate | Phosphor Bronze, Nickel Plated |
| Spring | Stainless Steel |
| Housing | PA66, UL 94V-0, Green |
| Electrical | |
| Standard | UL 1059/CSA C22.2 No. 158 |
| Rated Voltage | 300 V |
| Rated Current | 8 A |
| Wire Range | 28-16 AWG |
| Contact Resistance | 20mΩ |
| Insulation Resistance | 500MΩ/500 Vdc |
| Withstand Voltage | 2000 Vac/1 Min |
| Mechanical | |
| Temperature Range | -40°C...+105°C |
| Strip Length | 9-10 mm (0.35-0.39") |
| Size | |
| Pitch | 3.5 mm (.138") |
| Poles | 2P-16P. Additional sizes available on request. |

| Item | No. of Poles | Length (mm) |
|-----------------------|--------------|-------------|
| ASIWJ15EDGKNG-3.5-2P | 2 | 17.1 |
| ASIWJ15EDGKNG-3.5-3P | 3 | 20.6 |
| ASIWJ15EDGKNG-3.5-4P | 4 | 24.1 |
| ASIWJ15EDGKNG-3.5-5P | 5 | 27.8 |
| ASIWJ15EDGKNG-3.5-6P | 6 | 31.3 |
| ASIWJ15EDGKNG-3.5-7P | 7 | 34.8 |
| ASIWJ15EDGKNG-3.5-8P | 8 | 38.3 |
| ASIWJ15EDGKNG-3.5-9P | 9 | 41.8 |
| ASIWJ15EDGKNG-3.5-10P | 10 | 45.3 |
| ASIWJ15EDGKNG-3.5-11P | 11 | 48.8 |
| ASIWJ15EDGKNG-3.5-12P | 12 | 52.3 |
| ASIWJ15EDGKNG-3.5-13P | 13 | 55.8 |
| ASIWJ15EDGKNG-3.5-14P | 14 | 59.3 |
| ASIWJ15EDGKNG-3.5-15P | 15 | 62.8 |
| ASIWJ15EDGKNG-3.5-16P | 16 | 66.1 |